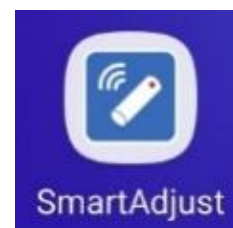


DOL 28R and iDOL 28R

TECHNICAL USER GUIDE



For **other language variants** of this document we refer to www.dol-sensors.com or your local dealer.



PRODUCT DESCRIPTION:

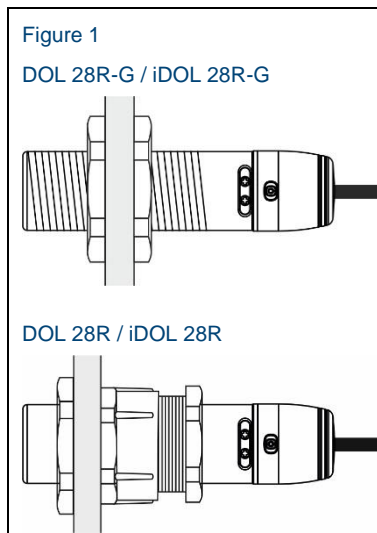
DOL 28R / iDOL 28R is a capacitive relay sensor for detection of feed, grain and solids in a feeding system. The sensor has relay output including switch function. The sensor has a white LED for illuminating the feed pan.

Fields of application:

- Controlling the filling and emptying process.

MOUNTING GUIDE (FIG. 1):

DOL 28R / iDOL 28R is made in a ø30 mm smooth design mounted in a PG36/M40 gland and threaded M30 for mounting with nuts.



INSTALLATION GUIDE (FIG. 2):

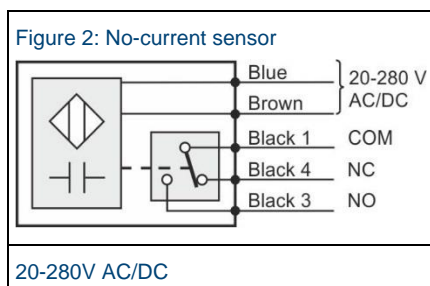
Supply voltage is connected to the blue and brown wire.

The load is connected in series with the relay contact of the sensor.

STOP by activating the sensor: Use the black wires 1 and 3.

START by activating the sensor: Use the black wires 1 and 4.

NOTE! The internal relay is in position NC when the supply voltage is connected and the sensor is activated - wire 1 and 4 are connected.



USER GUIDE (FIG. 3):

DOL 28R settings are adjustable by two trimmers. iDOL 28R settings are adjustable by the SmartAdjust App that can be downloaded from Google Play Store, search for SmartAdjust or use the QR code:



Delayed disconnection:

Fixed time or adjustable time is set by trimmer or by SmartAdjust App

Delayed connection: Fixed time or adjustable time is set by trimmer or by SmartAdjust App

Sensitivity: Fixed distance or adjustable time is set by trimmer or by SmartAdjust App

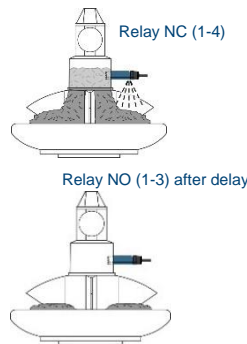
MaxRunTimer: DOL 28R: Settings on the trimmer: Off, Period 1, Period 2.

iDOL 28R: Adjustable 1-7200s by using SmartAdjust app

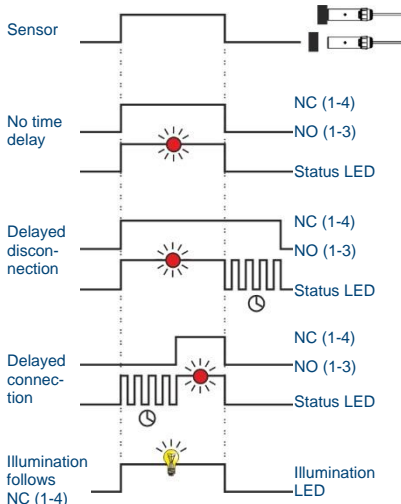
The actual functionality of the sensor is indicated on the product label.

DOL 28R / iDOL 28R has a red LED, indicating sensor status and a green LED indicating power on. Fig. 3 shows examples of LED sequences.

Figure 3



LED- sequence



TECHNICAL DATA:

Supply voltage:

Voltage:	20 - 280 V AC/DC
	47 - 63 Hz
Power consumption	< 3 VA
Light intensity at 0,3m (1 foot)	> 100 lux
Color temperature	4500K-5000K

Relay:

Max. resistive load, 250 VAC:	5 A
Max. inductive load, 250 VAC:	2 A
Min. relay current, 12 VDC:	100 mA

Temperature:

Temp. operation:	- 20 °C - + 70 °C
	- 4 °F - + 158 °F
Temp. storage:	- 30 °C - + 80 °C
	- 22 °F - + 176 °F

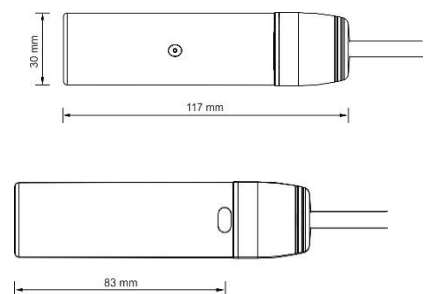
Degree of protection:

IP:	69k
NEMA:	1, 3, 4, 6, 12, 13

Cable:

Length:	2 m
	6.6 feet
Conductor dimensions:	5 x 0.5 mm ²
	5 x AWG20

Dimensions:



Approvals:

- CE
- UL
- C-UL