

**N100/75/50/30/20**  
Electronic egg counter



The Accucount N100/75/50/30/20 can be installed on belts or conveyors up to 100 cm wide.

The Accucount N100/75/50/30/20 will count all eggs that pass under it.

The Accucount N100/75/50/30/20 has 5 lights located on the top side of the counter and one cable with a plug on the top left hand side of the counter.

Power 12V 50/60 HZ

System lights;

The 4 system lights will blink continuously once the counter has been connected. If the system lights are not blinking recheck wiring.

OUT light;

The OUT light will blink once for each egg that passes under the counter.

Technical spec.

Power supply 12 volt Ac

Current N20 80 ma N30 120 ma N50 160ma N75 280 ma N100 400 ma

Output open collector pulse 4 ms 250hz

Installation

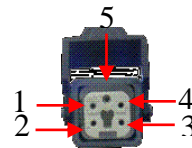
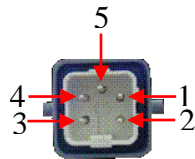
Wiring

The N100/75/50/30/20 is supplied with a connector.



N50/30/20 side (male connector)

Female connector

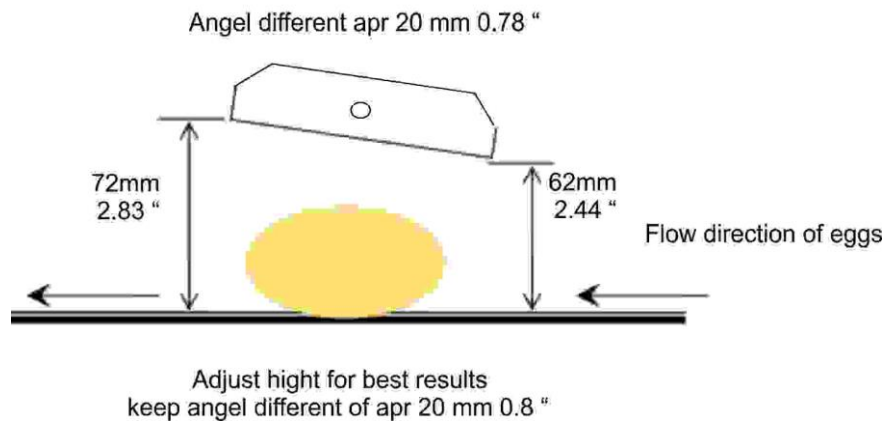


Wire color Mark 5 side	Connector number	Usage
Black , Red wires	1,4	12VAC 50/60 HZ 360 mA
Green wire	2	Pulse output
White wire	3	Not in use
Shielded wire	5	Ground $\perp$

Installation

Install the Accucount N100/75/50/30/20 egg counter on the egg belt/conveyer.

**Installation height above the conveyer should be approximately 72 mm, depending on the type of conveyer. The height is critical for correct counting and may varied from different conveyer. In case of over count the height have to be raised up to 0.5 to 1 cm. in case of to low count the counter have to lower up to 0.5 to 1 cm. In both cases adjustment have to be done until a right count will be achieved.**



The Accucount N100/75/50/30/20 must be level.

Be sure that the eggs pass under the egg counters beams.

If the egg counter is wider than the conveyer, cover the unused beams with dark tape or a similar material.



There are certain conveyors on the market that when the conveyor is stopped, it will then move back a few centimeters. This may move the eggs again under the counter causing them to be recounted. When the conveyor starts up again the same eggs will be counter once again. See picture below.

In a case like this you must make sure that there are no eggs on the conveyor when it stops.

