

**dol**  
SENSORS

MAKING SENSE IN YOUR PRODUCTION

# DOL 53 AMMONIA (NH<sub>3</sub>) SENSOR

EN

Technical User Guide



## SAFETY-RELATED INFORMATION

- Before using this product, carefully read the Technical user guide.
- Strictly follow the Technical user guide. The user must fully understand and strictly observe the instructions. Use the product only for the purposes specified in the Intended use section of this document.
- Do not dispose of the Technical user guide. Ensure that they are retained and appropriately used by the product user.
- Comply with all local and national rules and regulations associated with this product.
- Use only genuine spare parts and accessories, or the proper functioning of the product may be impaired.
- Do not use a faulty or incomplete product. Do not modify the product.
- Notify the supplier in the event of any component fault or failure.

## WARNING SYMBOLS

### MEANING OF THE WARNING SYMBOLS

The following warning symbols are used in this document to identify and highlight the relevant warning texts which require increased care and attention on the part of the user. The meanings of the warning symbols are defined as follows:



Indicates a potentially hazardous situation which, if not avoided, could result in physical injury, or damage to the product or environment. It may also be used to alert against unsafe practices.

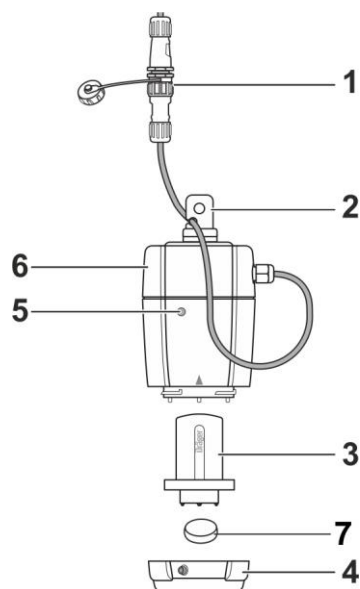
### NOTICE

Indicates additional information on how to use the product.

## PRODUCT DESCRIPTION

DOL 53 consists of an electrochemical diffusion sensor and signal processing electronics. DOL 53 works like a "nose". DOL 53 only transmits the concentration measured at the sensor. The measuring unit ppm (parts per million) is a volume concentration. DOL 53 is connected to suitable control unit over a 3-wire cable. The measuring signal during normal operation is between 0 V and 10 V.

DOL 53 is used for the stationary continuous monitoring of ammonia concentrations in the ambient air under atmospheric conditions



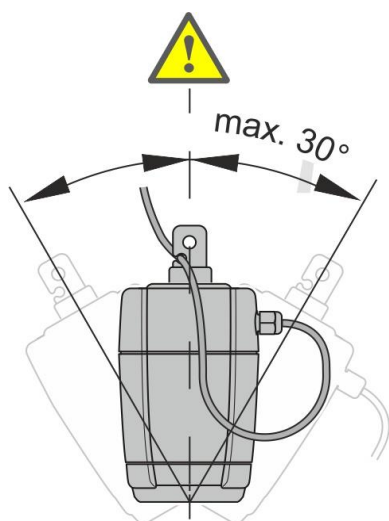
1. Connector and coupling
2. Mounting lug
3. Sensor element
4. Mounting ring
5. LED green/yellow
6. DOL 53 housing
7. Dust cap

## MOUNTING GUIDE

For optimum measurements DOL 53 should be installed at the centre of the area to be monitored. DOL 53 must be installed out of reach of animals, accessible for maintenance work, suspended from the lug at the end of the housing or alternatively with a mounting bracket on the wall.



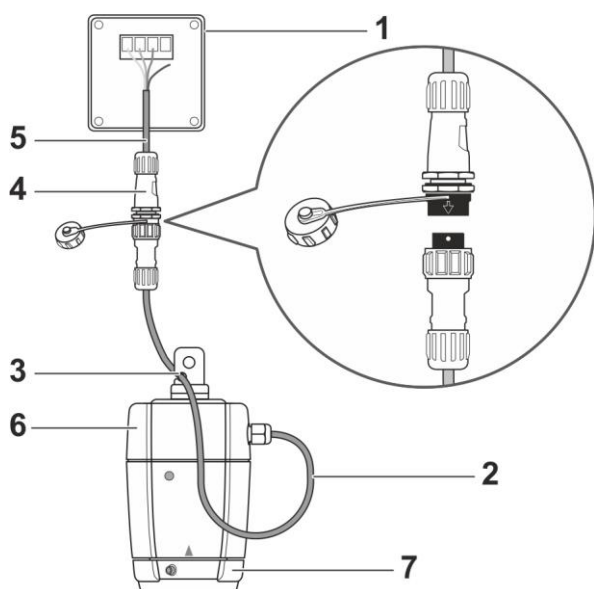
DOL 53 must not be mounted near the fresh air supply, in front of windows or doors, large electrical consumers (electromagnetic influences), in exhaust air ducts, behind air washers or behind screens. DOL 53 must not be mounted in inaccessible areas. Protect against direct exposure to dust or splash water. For wall mounting, unobstructed gas entry must be ensured.



DOL 53 must be mounted vertically with the sensor pointing down;  $\pm 30^\circ$  at a location with low vibration and, as far as possible, stable temperatures.

**NOTICE** DOL 53 must not be suspended from the electric cable.

## INSTALLATION GUIDE



The scope of delivery includes an approx. 2.5-meter-long cable connection (5) for the electrical installation up to the junction box (1). For the electrical supply and signal transmission to the control unit cables with adequate cross-section must be used. Connect the cable from the installation kit to the connector (4) and in the junction box (1). Connect the GND cable in the control unit to protective earth. The cable must be routed in a manner to obtain a "water loop" (2) for water to drop off. Insert the cable into the clamping device (3) at the mounting lug. Attach with a cable tie. Do not stress the cable.

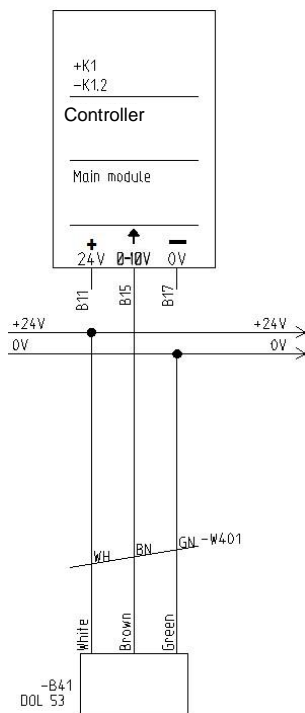
## SENSOR INSTALLATION

1. Remove the sensor element from the metal container.
2. Insert it into DOL 53 (6).
3. Secure it with the mounting ring (7).

## ELECTRIC CONNECTION



The electrical installation must only be carried out by specialist personnel paying attention to the relevant regulations for electrical equipment.



**Cable colour**  
white  
green  
brown

**Assignment**  
+24 Volt  
GND  
0 V to 10 V output

## OPERATION

Switch on the supply voltage at the control unit. After activation or after an interruption of the supply voltage the sensor must warm up for a defined period. This is indicated by the LED flashing green/yellow.

- The warmed up fault-free operation of DOL 53 is indicated after max. 30 minutes by the green LED being illuminated.
- A faulty operating state is indicated by the yellow LED flashing.

## MAINTENANCE GUIDE

The sensor element must be replaced after 3 years of operation at the latest. End of service life see date on the sensor element rating plate.

Carry out the daily visual inspection to detect operation readiness.

Have specialists carry out the annual inspection and calibration.



Replace the dust filter upstream of the sensor element if clogged. A clogged filter prolongs the response time of the sensor element. This affects the sensitivity. The dust filter must always be replaced prior to calibration.

## CLEANING

Clean DOL 53 surface with lukewarm water. Check for mechanical damage.



DOL 53 must be removed during cleaning and disinfection. After removing the connector, screw on the screw plug. A missing screw plug leads to corrosion of the connector.

## DISPOSAL

Dispose of the product in accordance with the applicable rules and regulations.

## TRANSPORT











Danger of damage to the sensor. The sensor must not be transported unpacked in air traffic. The sensor can lose its measuring sensitivity.

### TROUBLESHOOTING

Faults	Cause	Remedy
Packaging is damaged.	Damage in transit.	Contact the supplier in case of a damaged DOL 53.
No measured value at the control unit.	Electrical connection faulty or interrupted.	Check installation for cable break.
	DOL 53 aligned incorrectly, not vertical.	Install DOL 53 in accordance with assembly instructions, vertical $\pm 30^\circ$ .
	Sensor element faulty or used up.	Replace sensor element.
	DOL 53 faulty.	Replace DOL 53.
Incorrect measured value at the control unit.	Loss of sensitivity.	Check sensitivity with test gas.
	Filter clogged.	Replace filter.
Unexpected measured value at the control unit.	Brief interference pulses <5 seconds.	Interference caused by electrical equipment, e.g. lighting, fans or heaters; identify device and suppress interference.
Unstable measured value.	Dynamic signal fluctuations with a period of more than 5 seconds can arise from turbulence with fresh air.	Not activity, continue to monitor.
Wet sensor.	DOL 53 was cleaned with water, condensation.	Wipe DOL 53 dry with a paper towel.

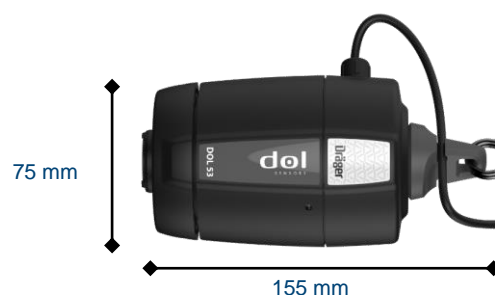
### LED SIGNALS

 Yellow, flashing slowly	Electrical supply faulty or interrupted.	Check installation for cable break. Check operation of the power supply unit of the control unit. Check electric voltage in the junction box or at the sensing head with a multi-meter.
	Short circuit in supply cable.	Check installation for short circuit.
	Overvoltage or undervoltage at the sensing head.	Check operation of the power supply unit of the control unit: Check electric voltage at the sensing head with a multi-meter.
	Incorrect voltage (e.g. 230 V AC) applied, electronics damaged.	Replace the sensing head.
	Sensing head faulty.	Replace the sensing head, contact supplier.
 Alternating green and yellow	Sensor is warning up to be ready for measurements, signal level 0 V.	No activity, flashing stops after max. 30 minutes.
 Constant green	Normal operation	
 Flashes 300 sec. green	Concentration measurement in the test window 40 ppm to 60 ppm, result of a test with 50 ppm test gas.	No activity, flashing stops after max. 5 minutes.
 Constant yellow	Internal fault detected by electronics, signal level 0 V.	Replace the sensing head.
 Flashing yellow	Measured concentration below - 5 ppm, below the measuring range, signal level 0 V.	If the fault continues for more than 1 day replace sensor.
 Flashing green	Measured concentration above 105 ppm outside the measuring range.	Ventilate with fresh air.
 Alternating green and yellow	Age monitoring, sensor older than 3 years, service life expired, see date on sensor rating plate.	Replace the sensor.

## TECHNICAL DATA

<b>Max. sensor element storage period</b>	See date on the label, sensor element box or shipping carton
<b>Warranty for sensor element and sensing head</b>	2 years from delivery date
<b>Expected sensor element service life</b>	3 years from commissioning, expiration date see sensor element rating plate
<b>Power supply</b>	Rated voltage 24 V (18 V to 30 V DC); DC < 0.2 V <sub>ss</sub>
<b>Current consumption</b>	<10 mA
<b>Signal transmission to the control unit</b>	0 V to 10 V corresponds to 0 to 100 ppm
<b>Detection range</b>	0 to 100 ppm NH <sub>3</sub>
<b>Signal transmission resolution</b>	0.5 ppm
<b>Accuracy</b>	1.5 ppm or ±10% of the measured value
<b>Response time T50</b>	≤30 seconds
<b>Long-term drift</b>	< ±10 % of the measured value/year
<b>Cable type</b>	3-wire
<b>Temperature range (operational)</b>	0 °C to +50 °C
<b>Humidity (operational)</b>	15% to 95% RH
<b>Air pressure (operational)</b>	700 hPa to 1300 hPa
<b>Temperature range (storage)</b>	-20 °C to +60 °C
<b>Dimensions H x W</b>	155 mm x 75 mm
<b>DOL 53 housing material</b>	PA
<b>Weight approx.</b>	450 g
<b>Chemical resistance</b>	Typical detergents, disinfectants, alcohol, surfactants, peracetic acid, soap
<b>Protection class</b>	IP 65
<b>Compliance</b>	CE Mark

## DIMENSIONAL SKETCH



dol  
SENSORS

MAKING SENSE IN YOUR PRODUCTION

